

HUTTON 49" CENTER SINK CABINET

ARIEL

WO49S

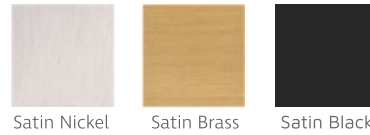
BASE CABINET DIMENSIONS

48" W x 21.75" D x 18" H

FEATURES

- Solid wood frame & plywood panels
- Dovetail drawers and joints
- Soft closing doors & drawers

HARDWARE FINISHES



Satin Nickel Satin Brass Satin Black

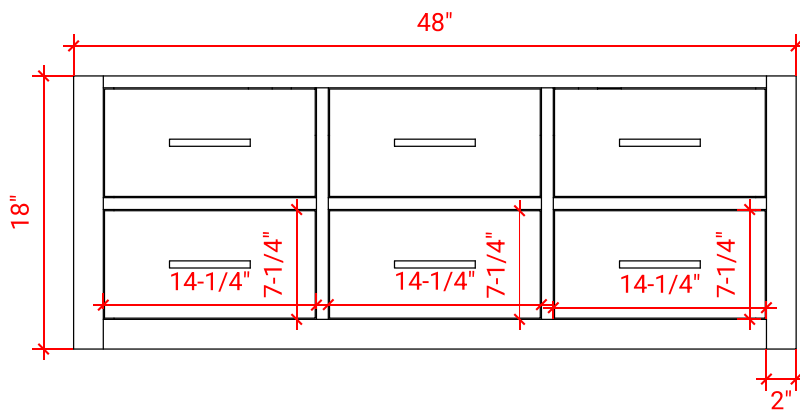
AVAILABLE COLORS



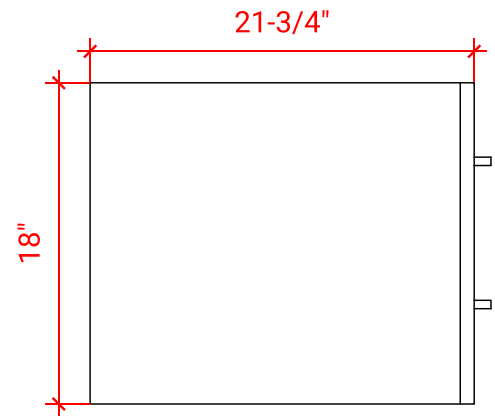
White Grey Black



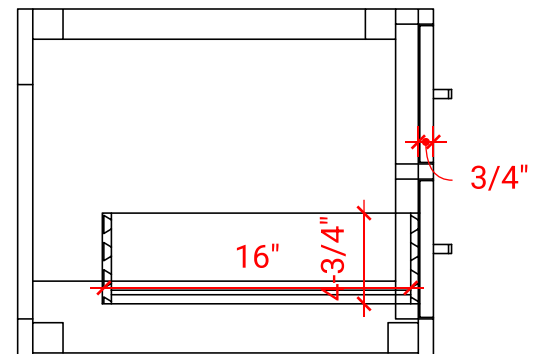
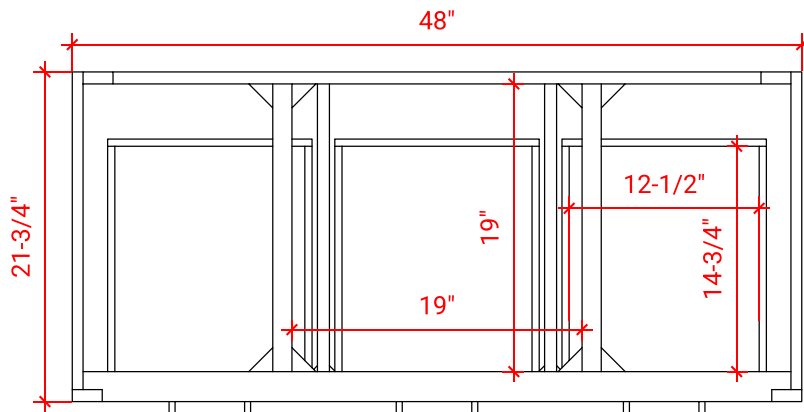
FRONT VIEW



SIDE VIEW



PLAN VIEW



49" RECTANGLE SINK THIN COUNTERTOP

OVERALL DIMENSIONS

49" W x 22" D x 0.75" H

COUNTERTOP OPTIONS



Carrara Marble
CW2-049S-REC-CT

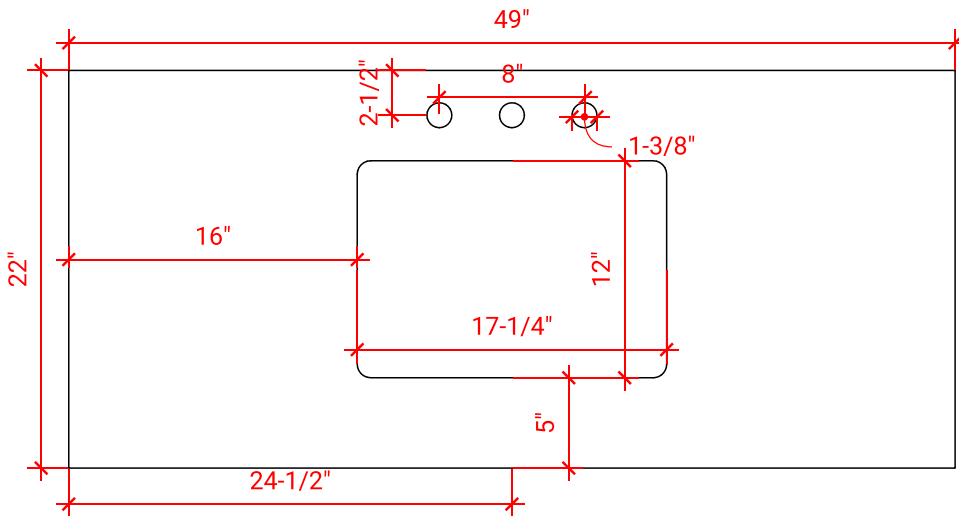
FEATURES

- Solid countertop with mitered edges & seams
- Undermount white rectangular sink
- Pre-drilled for 8" widespread faucet

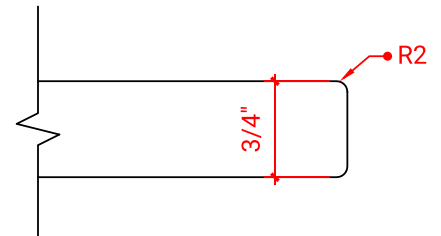
INCLUDED

- Countertop
- Matching Backsplash
- Sink

COUNTERTOP PLAN VIEW



EDGE SIDE VIEW



THREE DIMENSIONAL COUNTERTOP VIEW

